

BASEMENT PLAN

1 ACTON PLACE

ANNAPOLIS, MD

scale
1/8"=1'-0"

date
September 2016

revision

sheet

sheet number

INFORMATION TAKEN FROM THE HISTORIC AMERICAN BUILDING SURVEY AND SUPPLEMENTED BY FIELD MEASUREMENT

c:\action\electrical\dwg\161616\basement.bas.dwg

All documents and drawings produced by Alt Breeding Schwarz Architects and its Employees shall remain the property of Alt Breeding Schwarz Architects and may not be reproduced by any method, distributed, altered or modified in any way without specific written permission from an authorized representative of Alt Breeding Schwarz Architects. Documents and drawings shall not be used for any other purpose other than that intended by Alt Breeding Schwarz Architects at the time they are created or distributed unless specified in writing by an authorized representative of Alt Breeding Schwarz Architects. Modification, translation, or alteration of electronic documents or the contents thereof including but not limited to electronic transmission of any kind, file format conversion, platform operating system conversion, font substitution, import and/or export operations, intentional or otherwise is strictly prohibited and shall result in the termination of all liability on the part of Alt Breeding Schwarz Architects with regard to the content and accuracy of information contained therein. Electronic documents are distributed for reference only and are not intended to be used for any other purpose unless otherwise specified in writing by an authorized representative of Alt Breeding Schwarz Architects. No one shall document to be used, copied or further distributed without written permission from an authorized representative of Alt Breeding Schwarz Architects. Alt Breeding Schwarz Architects shall be the sole determiner of originality and accuracy of all documents and the information contained therein. Liability shall be limited to the information contained in original documents, drawings and files only. Alt Breeding Schwarz shall bear no responsibility for the information contained in electronic documents whose file format has been changed from that of the native format of the creator application prior to distribution or which have been transmitted electronically via e-mail or other electronic file transfer methods. Alt Breeding Schwarz © 2015

FIRST FLOOR PLAN

1 ACTON PLACE

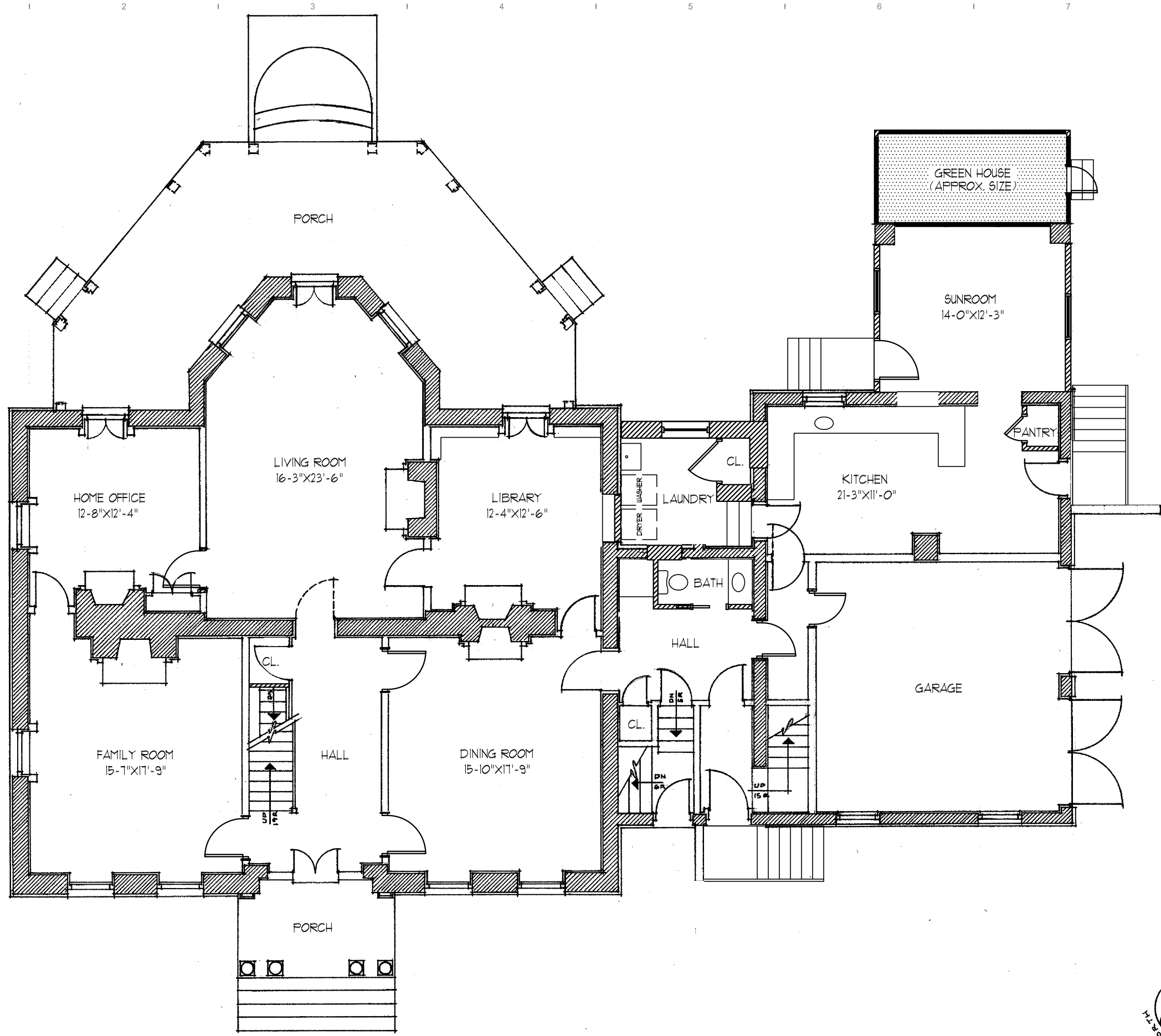
ANNAPOLIS, MD

scale
1/8"=1'-0"

date
September 2016

revision

sheet number



INFORMATION TAKEN FROM THE HISTORIC AMERICAN BUILDING SURVEY AND SUPPLEMENTED BY FIELD MEASUREMENT

01 acton_blackwinging01_walting_conditionsviewing_the_floor_plan.dwg

All documents and drawings produced by Alt Breeding Schwarz Architects and its Employees shall remain the property of Alt Breeding Schwarz Architects and may not be reproduced by any method, distributed, altered or modified in any way without specific written permission from an authorized representative of Alt Breeding Schwarz Architects. Documents and drawings shall not be used for any other purpose other than that intended by Alt Breeding Schwarz Architects at the time they are created or distributed unless specified in writing by an authorized representative of Alt Breeding Schwarz Architects. Modification, translation, or alteration of electronic documents or the contents thereof including but not limited to electronic transmission of any kind, file format conversion, platform operating system conversion, font substitution, import and/or export operations, intentional or otherwise is strictly prohibited and shall result in the termination of all liability on the part of Alt Breeding Schwarz Architects with regard to the content and accuracy of information contained therein. Electronic documents are distributed for reference only and are not intended to be used for any other purpose unless otherwise specified in writing by an authorized representative of Alt Breeding Schwarz Architects. No one shall document to be used, copied or further distributed without written permission from an authorized representative of Alt Breeding Schwarz Architects. Alt Breeding Schwarz Architects shall be the sole determiner of originality and accuracy of all documents and the information contained therein. Liability shall be limited to the information contained in original documents, drawings and files only. Alt Breeding Schwarz shall bear no responsibility for the information contained in electronic documents whose file format has been changed from that of the native format of the creator application prior to distribution or which have been transmitted electronically via e-mail or other electronic file transfer methods. Alt Breeding Schwarz © 2015

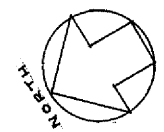
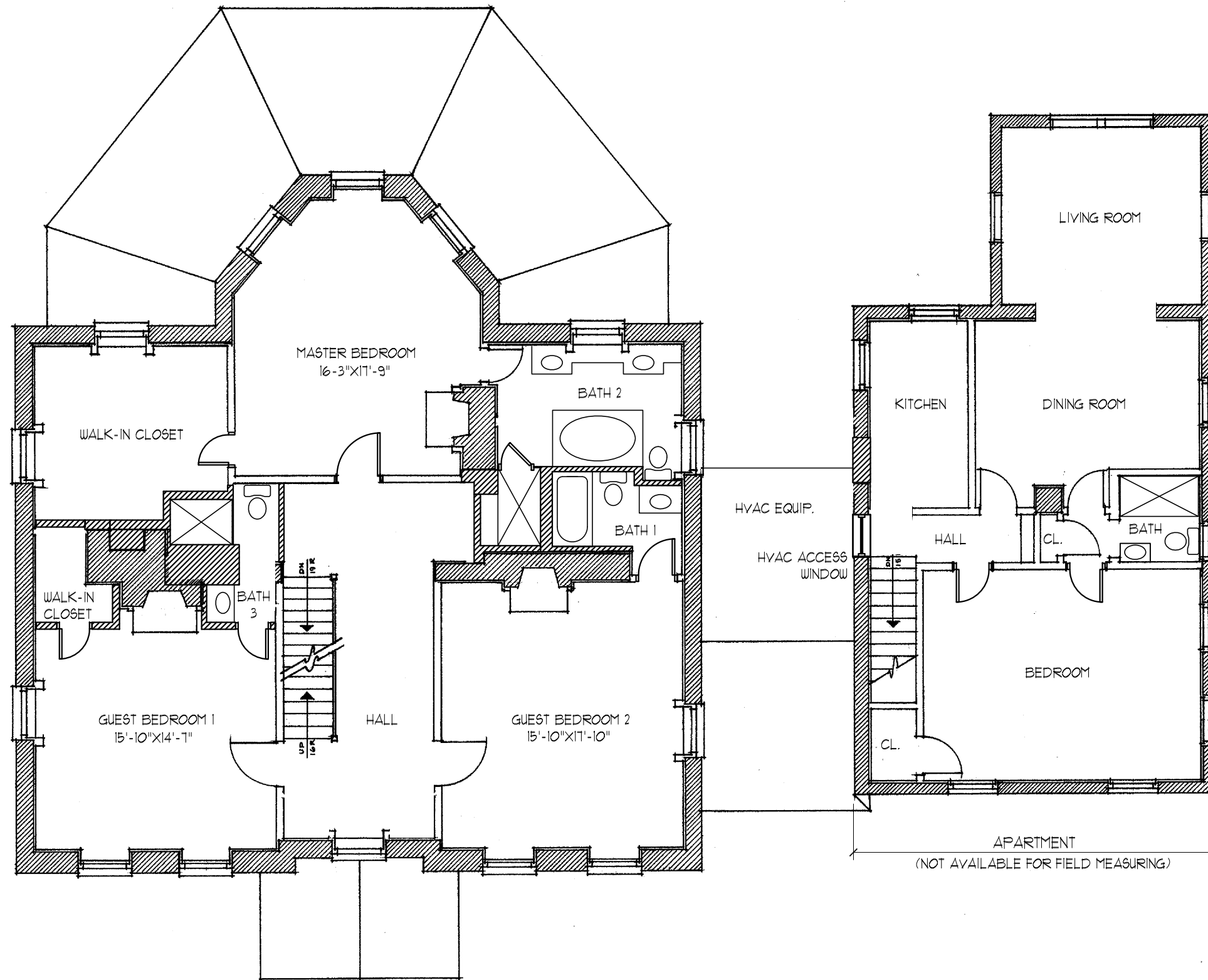
SECOND FLOOR PLAN

1 ACTON PLACE

ANNAPOLIS, MD

scale
1/8"=1'-0"
date
September 2016
revision

sheet number



INFORMATION TAKEN FROM THE HISTORIC AMERICAN BUILDING SURVEY AND SUPPLEMENTED BY FIELD MEASUREMENT

c:\action\electronic\101\working\condemning\second floor plan.dwg

All documents and drawings produced by Alt Breeding Schwarz Architects and its Employees shall remain the property of Alt Breeding Schwarz Architects and may not be reproduced by any method, distributed, altered or modified in any way without specific written permission from an authorized representative of Alt Breeding Schwarz Architects. Documents and drawings shall not be used for any other purpose other than that intended by Alt Breeding Schwarz Architects at the time they are created or distributed unless specified in writing by an authorized representative of Alt Breeding Schwarz Architects. Modification, translation, or alteration of electronic documents or the contents thereof including but not limited to electronic transmission of any kind, file format conversion, platform operating system conversion, font substitution, import and/or export operations, intentional or otherwise is strictly prohibited and shall result in the termination of all liability on the part of Alt Breeding Schwarz Architects with regard to the content and accuracy of information contained therein. Electronic documents are distributed for reference only and are not intended to be used for any other purpose unless otherwise specified in writing by an authorized representative of Alt Breeding Schwarz Architects. No one shall document to be used, copied or further distributed without written permission from an authorized representative of Alt Breeding Schwarz Architects. Alt Breeding Schwarz Architects shall be the sole determiner of originality and accuracy of all documents and the information contained therein. Liability shall be limited to the information contained in original documents, drawings and files only. Alt Breeding Schwarz shall bear no responsibility for the information contained in electronic documents whose file format has been changed from that of the native format of the creator application prior to distribution or which have been transmitted electronically via e-mail or other electronic file transfer methods. Alt Breeding Schwarz © 2015

1 2 3 4 5 6 7 8

F

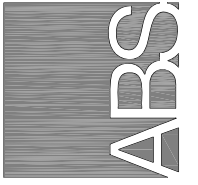
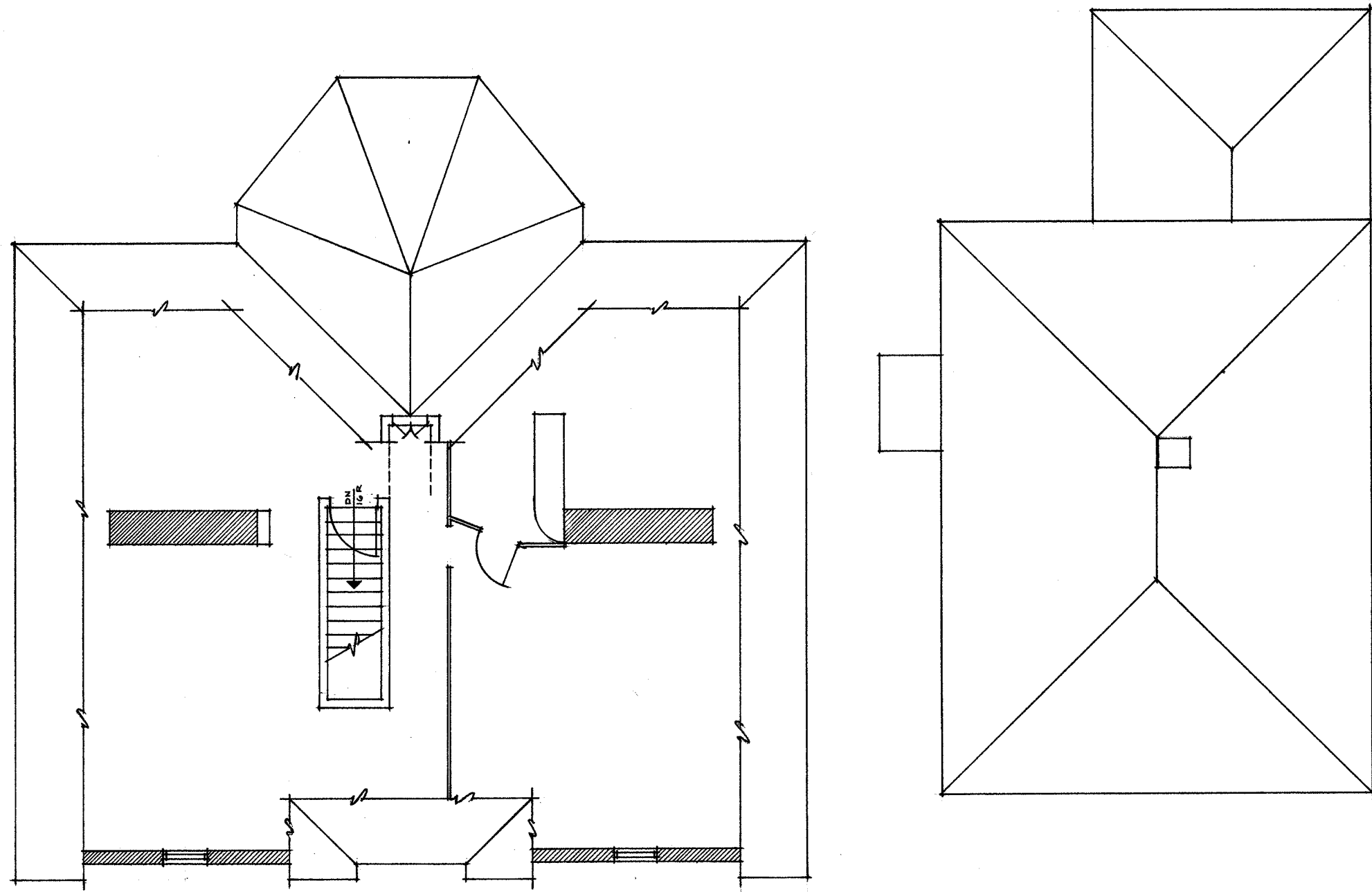
E

D

C

B

A



Alt Breeding Schwarz

ARCHITECTS
209 main street
annapolis, maryland 21401
410-268-1213

www.absarchitects.com

ATTIC PLAN

1 ACTON PLACE
ANNAPOLIS, MD

scale
1/8"=1'-0"

date
September 2016

revision

sheet number

INFORMATION TAKEN FROM THE HISTORIC AMERICAN BUILDING SURVEY

c:\action\acton\101\attic\attic.dwg

All documents and drawings produced by Alt Breeding Schwarz Architects and its Employees shall remain the property of Alt Breeding Schwarz Architects and may not be reproduced by any method, distributed, altered or modified in any way without specific written permission from an authorized representative of Alt Breeding Schwarz Architects. Documents and drawings shall not be used for any other purpose other than that intended by Alt Breeding Schwarz Architects at the time they are created or distributed unless specified in writing by an authorized representative of Alt Breeding Schwarz Architects. Modification, translation, or alteration of electronic documents or the contents thereof including but not limited to electronic transmission of any kind, file format conversion, platform operating system conversion, font substitution, import and/or export operations, intentional or otherwise is strictly prohibited and shall result in the termination of all liability on the part of Alt Breeding Schwarz Architects with regard to the content and accuracy of information contained therein. Electronic documents are distributed for reference only and are not intended to be used for any other purpose unless otherwise specified in writing by an authorized representative of Alt Breeding Schwarz Architects. No one shall document to be used, copied or further distributed without written permission from an authorized representative of Alt Breeding Schwarz Architects. Alt Breeding Schwarz Architects shall be the sole determinant of originality and accuracy of all documents and the information contained therein. Liability shall be limited to the information contained in original documents, drawings and files only. Alt Breeding Schwarz shall bear no responsibility for the information contained in electronic documents whose file format has been changed from that of the native format of the creator application prior to distribution or which have been transmitted electronically via e-mail or other electronic file transfer methods. Alt Breeding Schwarz © 2015